

## 1923 Maxlok

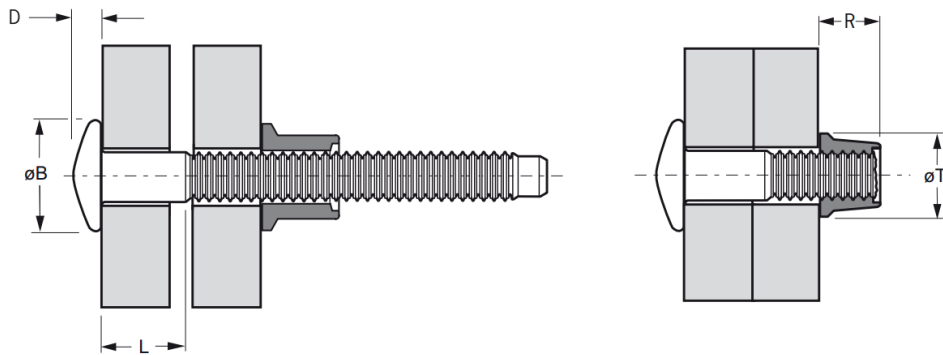
Aluminium - Mushroom head  
4.8 mm (3/16")

### Features

- Multi grip capability reduces inventory, simplifies stock control, and accommodates wide variations in material thickness
- High shear strength for high strength assembly
- High, controlled clamp provides excellent vibration resistance
- Quick to install across a wide range of applications
- Easy to inspect tampering
- High security tamper resistance - TIR approved

### Material

- Pin: Aluminium alloy, polished (BS 1473 7075, DIN 1725, AlZnMgCu1.5, Werkstoff 3.4365)
- Collar: Aluminium alloy, natural (BS 1473 6061, DIN 1725, AlMg1SiCu, Werkstoff 3.3211)



Part No. Pin	Part No. Collar	Size ø	Grip Range			Hole Size	øB max.	D max.	L ref.	R max.	øT max.	Shear (typical) kN	Tension (typical) kN
			nom.	min.	max.								
01923-00610	01985-00600	4.8 (3/16")	1.6	15.9	5.16	12.5	2.8	2.3	7.9	9.9	4.23	5.78	
01923-00620			7.9	31.7				8.4					

### Assembly Applications

- Commercial vehicles
- Heating and ventilation
- Frame building

